


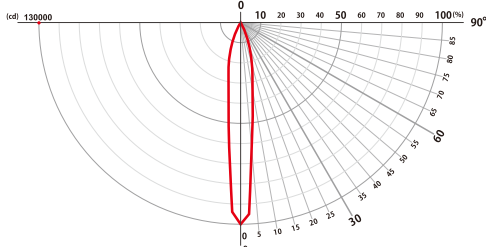
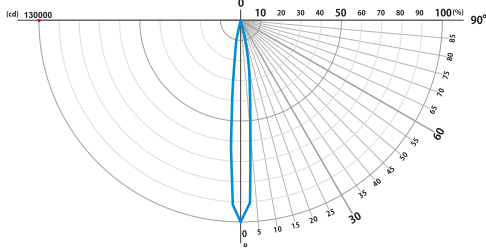
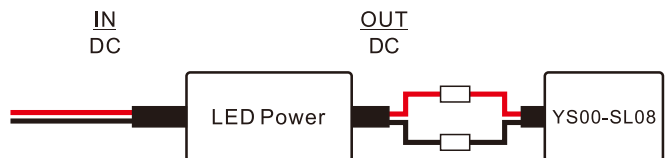
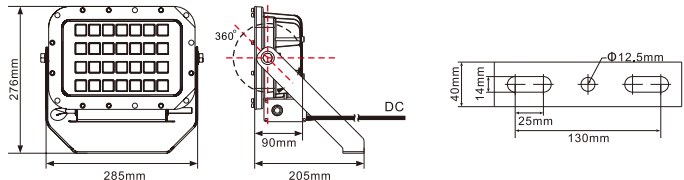
LED BOAT SEARCHLIGHT

In Development

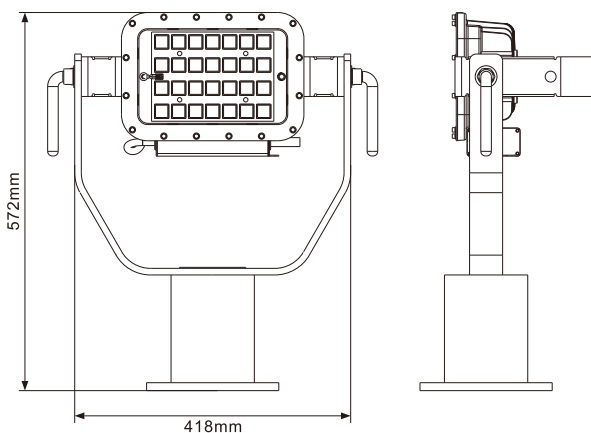
To replace HR1000N

YS00-SL08

- IP66, Salt spray test and Vibration test compliance.
- Long lifespan up to 20,000 hours.
- Design according to Rules for the Construction and Classification of Steel Ships.
- Meet standard of JIS F 8443 and CNS 9602.
- Noticeable reduce the fuel cost.
- Can be used in bad environment safely and stably.

Product	Part No.	Specification			
<p>Nichia Led 1.3x10⁵ cd</p> 	YS00-SL08	Power Consumption	100W	Luminous Flux	13650
		Dimension	285x276x205mm	CRI	Ra 75
		Weight	6kg ± 10%	CCT	5000K
		Input Voltage	DC 12V/24V	Field Angle θ	25°+45°
		Operating Temperature	-25°C~+50°C	Lux@25m	208
		IP Code	IP 66		
	International Standards	Wiring Diagram			
					
					

Type-outdoor control YS00-SL08-00550A



Type-indoor control YS00-SL08-00550B

