
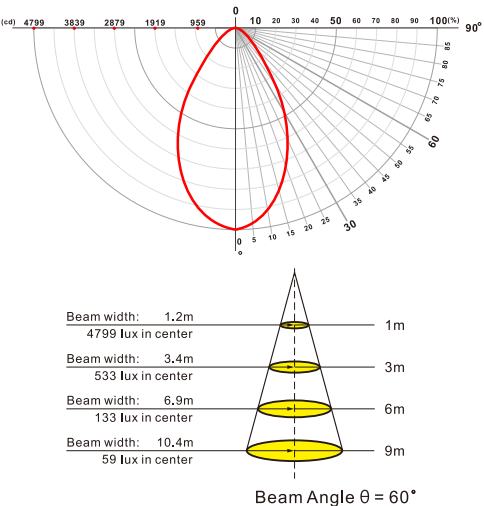
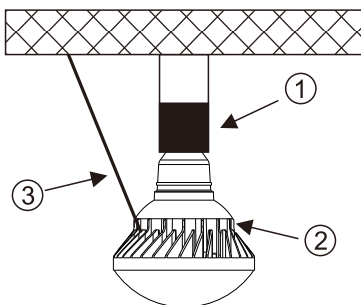
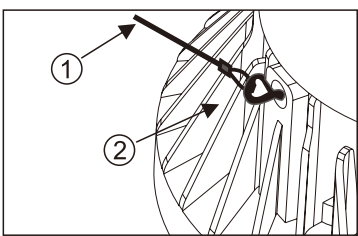


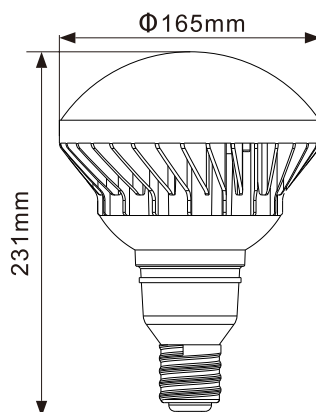
# LED BULB

• To replace 400W Mercury lamp

# YS00-P5202

- Elegant, miniaturized design
- High levels of light uniformity (70%+)
- Long lifespan up to 20,000 hours.
- Flame retardants technology
- Minimal heat development (<65°C)
- Low power consumption & voltage
- No Mercury, RoHs compliance
- No UV, IR light radiation

Product	Part No.	Specification			
<p><b>Nichia Led</b></p> 	<p>YS00-P5202</p>	Power Consumption	45W	Luminous Flux	7000Lm
		Dimension	Φ165x231mm	CRI	Ra 75
		Weight	1.5kg ± 10%	CCT	5000K
		Input Voltage	AC 100V-240V	Beam Angle θ	60°
		Operating Temperature	-25°C~+45°C	Lux@1m	4800
		IP Code	IP 66		
		<p><b>International Standards</b></p>		<p>■ CNS 14335 / 14165 IP66 ■ CNS 8886 Salt spray test</p>	
 <p>Beam width: 1.2m 4799 lux in center</p> <p>Beam width: 3.4m 533 lux in center</p> <p>Beam width: 6.9m 133 lux in center</p> <p>Beam width: 10.4m 59 lux in center</p> <p>Beam Angle θ = 60°</p>	 <p>① Screw cap E39 ② Heat sink ③ Safety wire</p>	 <p>① Safety wire ② Hook</p>			



※Do not place in the sealed lighting fixture.  
※Use the product with traditional lamps is prohibited.