
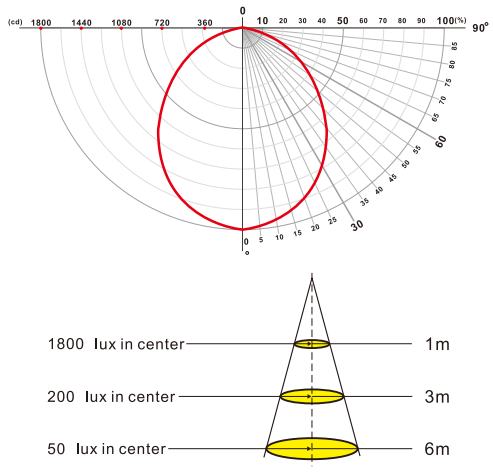
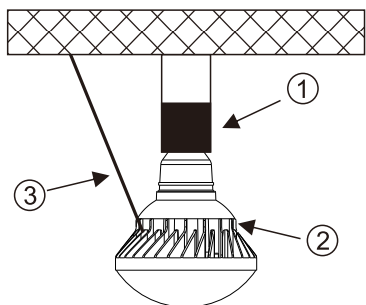
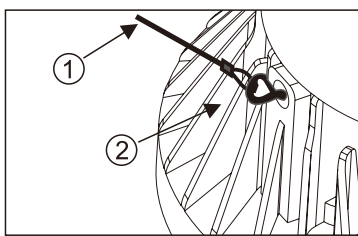


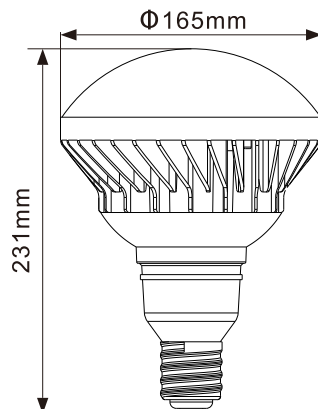
LED BULB

YS00-P5201

▫ To replace 300W Halogen lamp

- Elegant, miniaturized design
- High levels of light uniformity (70%+)
- Long lifespan up to 20,000 hours.
- Flame retardants technology
- Minimal heat development (<65°C)
- Low power consumption & voltage
- No Mercury, RoHs compliance
- No UV, IR light radiation

Product	Part No.	Specification			
<p>Nichia Led</p> 	YS00-P5201	Power Consumption	45W	Luminous Flux	6400Lm
		Dimension	Φ165x231mm	CRI	Ra 75
		Weight	1.5kg ± 10%	CCT	5000K
		Input Voltage	AC 100V-240V	Field Angle θ	180°
		Operating Temperature	-25°C~+45°C	Lux@1m	1800
		IP Code	IP 66		
	International Standards	<ul style="list-style-type: none"> ■ CNS 14335 / 14165 IP66 ■ CNS 8886 Salt spray test 			
	 <p>① Screw cap E39 ② Heat sink ③ Safety wire</p>	 <p>① Safety wire ② Hook</p>			



- ※Do not place in the sealed lighting fixture.
- ※Use the product with traditional lamps is prohibited.