
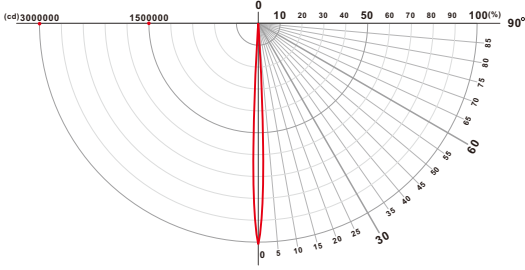
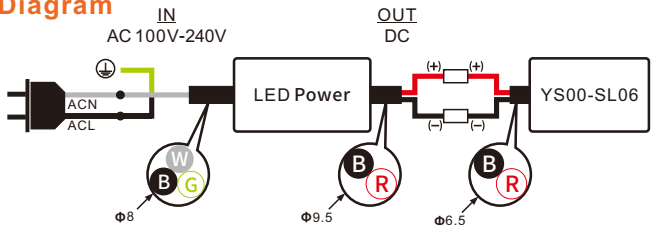
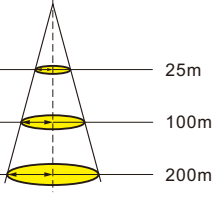
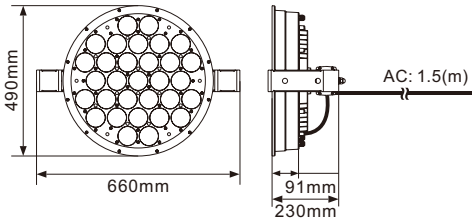


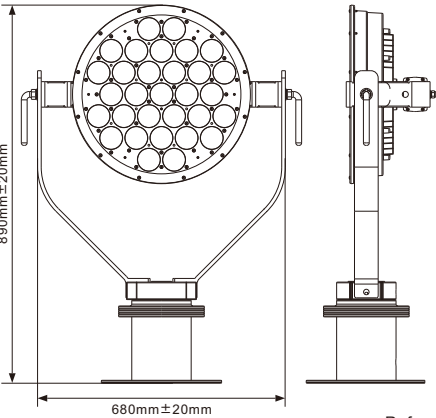
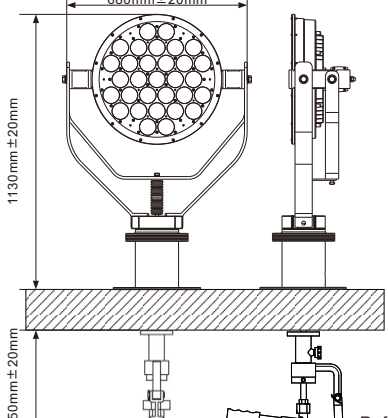
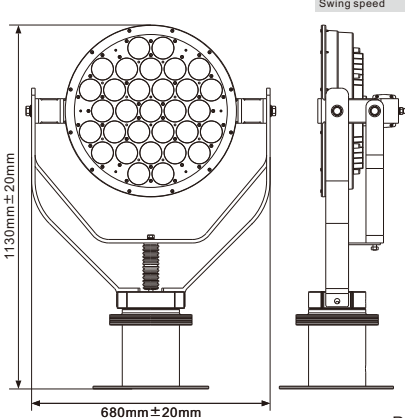
# LED SEARCHLIGHT

## YS00-SL06

- 3000W LED search light corresponding to search light of Suez Canal.
- IP66, Salt spray test and Vibration test compliance.
- Compatible with harsh environments to demonstrate the marine performance required for ship lighting.
- Long lifespan up to 40,000 hours.
- It is a high-brightness LED component that reduces power consumption to 1/10 the power of traditional lighting, reducing engine load and significantly reducing the fuel cost of power generation.

※ The value of power consumption reduction will vary depending on the product.

Product	Part No.	Specification			
<p>Nichia Led 3000000cd</p> 	YS00-SL06	Power Consumption	190W	Luminous Flux	22700Lm
		Dimension	660×490×230mm	Equivalent to conventional products	3000W
		Weight	20kg±10%	CRI	Ra 75
		Input Voltage	AC 100V-240V	CCT	5000K
		Operating Temperature	-25°C~+50°C	Beam Angle θ	5°
		IP code	IP 66	Lux@25m	4800Lux/25m
		Frequency Range	50Hz/60Hz (47Hz~63Hz)	Lifespan	40000h
	<p><b>International Standards</b></p> <ul style="list-style-type: none"> <li>■ CNS 3912 Photometric test</li> <li>■ CNS 14335 / 14165 IP66</li> <li>■ CNS 10255 Vibration test</li> <li>■ CNS 8886 Salt spray test</li> </ul>	<p><b>Wiring Diagram</b></p> 			
<p>Beam width: 1.1m 4800 lux in center</p> <p>Beam width: 4.4m 300 lux in center</p> <p>Beam width: 8.7m 75 lux in center</p> <p>Beam Angle θ = 5°</p> 					

Type-outdoor control YS00-SL06-00550A	Type-indoor control YS00-SL06-00550B	Type-remote control YS00-SL06-00550C
 <p>Reference</p>	 <p>Reference</p>	 <p>Reference</p>
<p><b>Reference</b></p> <ul style="list-style-type: none"> <li>Depression angle : 30°</li> <li>Elevation angle : 16°</li> <li>Pivotal angle : 270°</li> <li>Rotation speed : 1.1°/sec</li> <li>Swing speed : 6°/sec</li> </ul>		